

A  
B  
C  
D  
E  
F

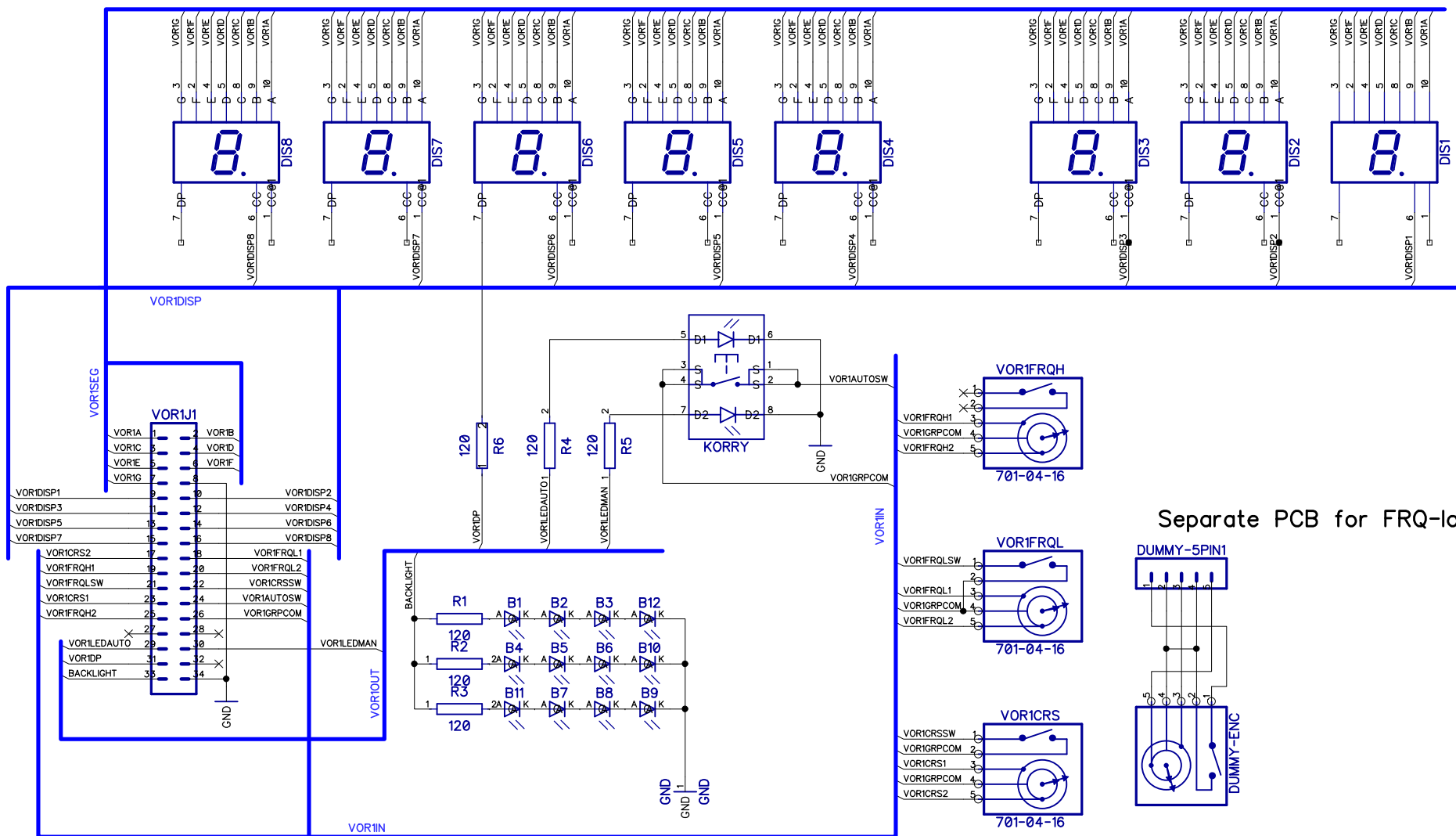
1

2

3

4

A  
B  
C  
D  
E  
F



Backlight: 9,6 - 15,2V.

All LED are White 3,2V

Rev.	1.1	B767-300 VOR	01 Oct. 08	Per-Erik Hoddo
<p>Added switches - both for CRS and FRQ. Could be nice to have for other actions. Using one single ribbon cable to IO-boards          Backlight voltage - 9,6 to 15,2V variable.</p>				

1

2

3

4