

A

B

C

D

E

F

A

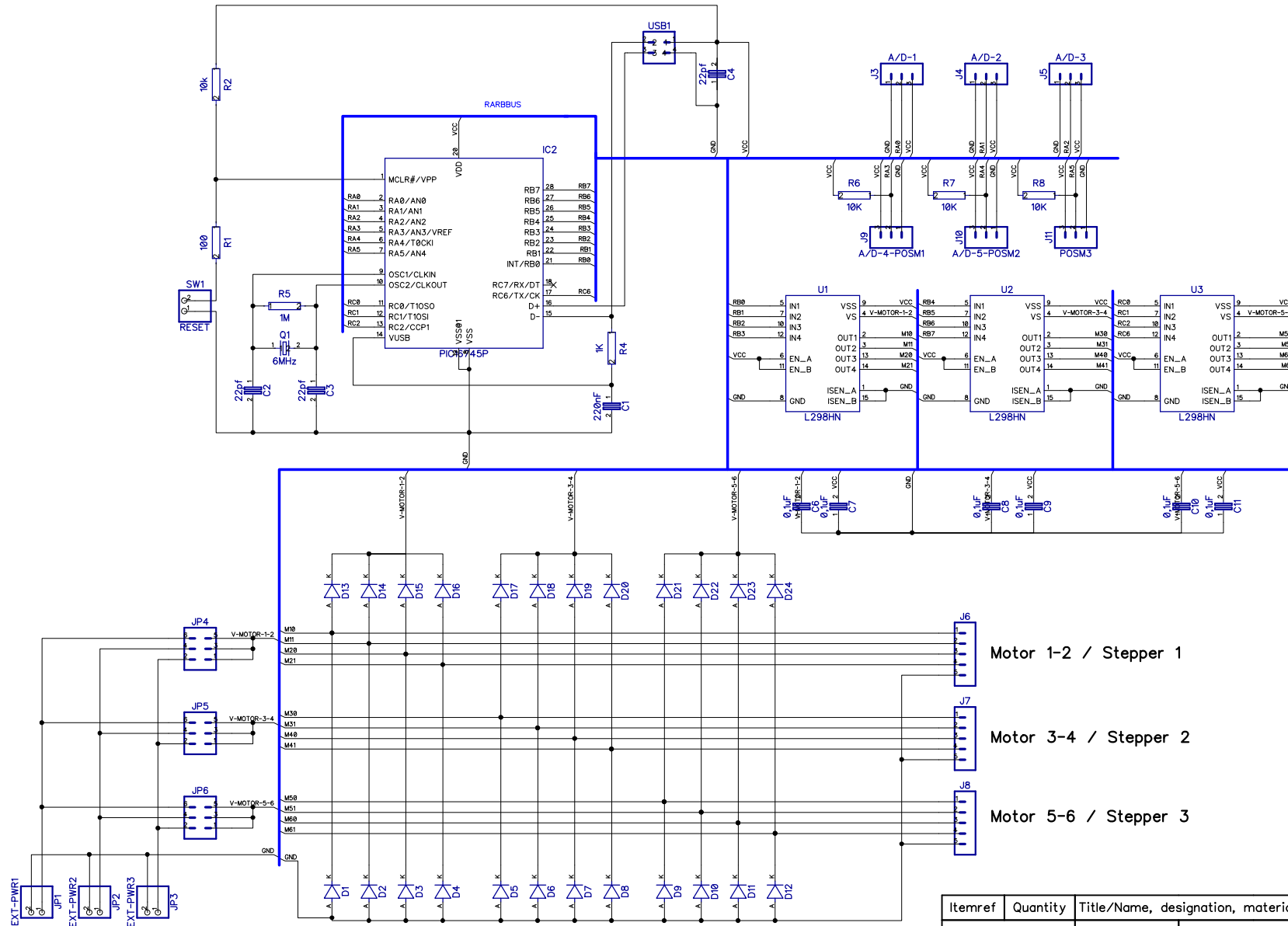
B

C

D

E

F



Motor 1-2 / Stepper 1

Motor 3-4 / Stepper 2

Motor 5-6 / Stepper 3

Itemref	Quantity	Title/Name, designation, material, dimension etc	Article No./Reference
Original by M. Velez			17.05.2009
USB DC-motor, Stepper motor & Light control. Replaced L293 with L298 - gives more power. Also ground the Sense signals. Light and DC use the same Microcode. Stepper have it's own.			Scale 1:1
Per-Erik Hoddoe			Sheet 1/1
Version 1.0			