

A

A

B

B

C

C

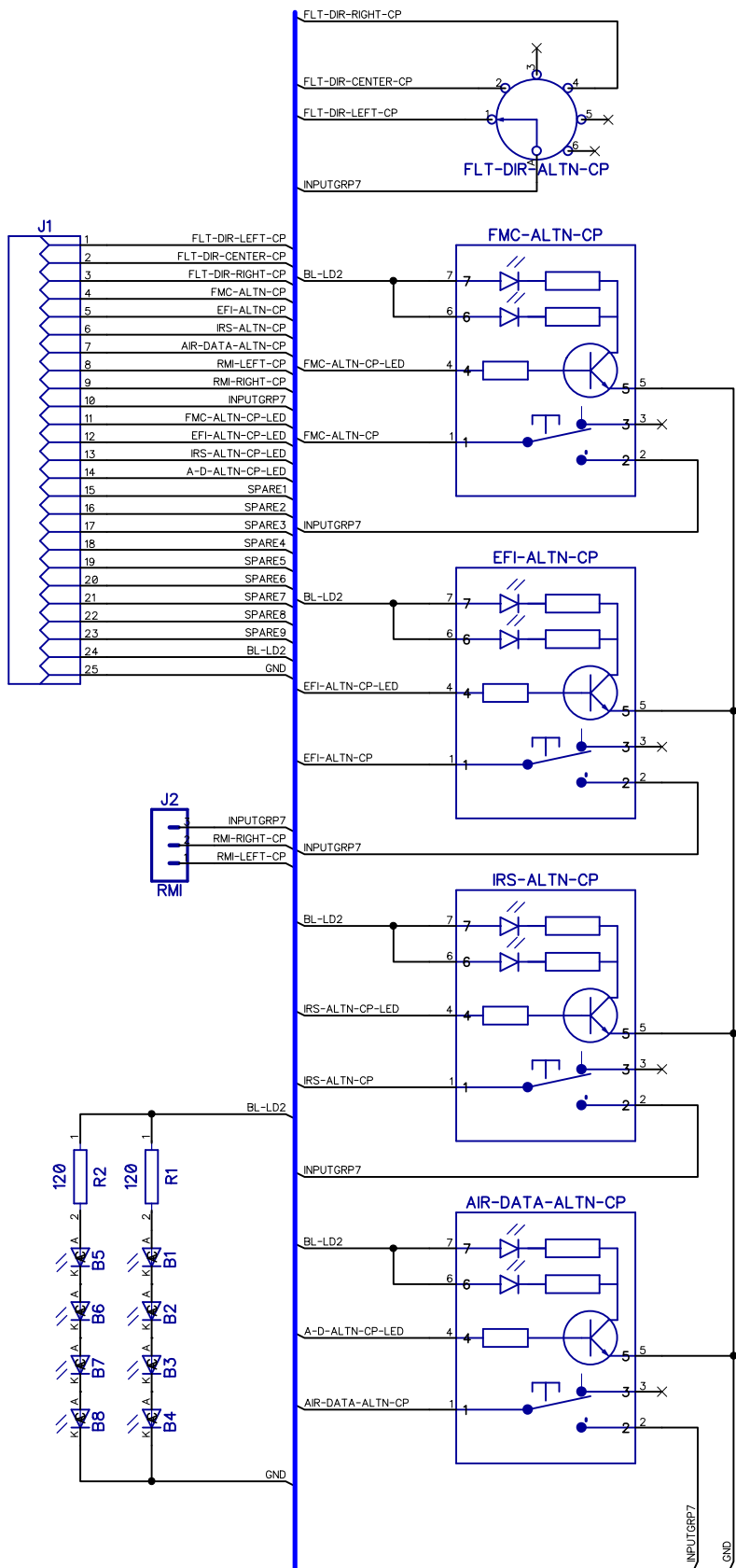
D

D

E

E

J1 is a DB25 connector cabled to the Master controller in the MCP module.



F

F

Itemref	Quantity	Title/Name, designation, material, dimension etc			Article No./Reference	
Designed by	Checked by	Approved by - date - 00/00/00	File name	Date 00/00/00	Scale 1:1	
Instrument Source Select Panel - ISS - Captain side.			Per-Erik Hoddø		Edition 0	Sheet 1/1

1

2

3

4